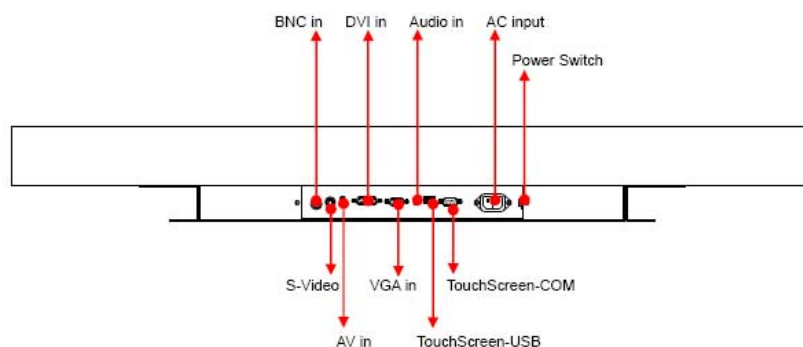


**Model: ICM-47WTHD**  
**47" Industrial Chassis Monitor (Wide Screen), with Touch Screen**



### Main Feature

- 47" Full HD TFT LCD Panel support 1920 × 1080 pixels
- Open Frame Structure with strengthen glass
- Rugged construction design
- Input signal : VGA + DVI + Audio
- Build in 2 x 8 Watts stereo speaker
- OSD control keys to optimize the display
- AC 100-240V wide range
- Meet standard VESA hole ( 75x75 and 100x100 mm )

Specification	
Product Model	ICM-47WTHD
LCD Panel	Display Type : 42" Full HD TFT LCD Resolution : 1920 x 1080 Max. color : 16.7M Luminance : 500 cd/m2 View Angel : 176°(H), 176°(V) Pixel Pitch : 0.543 x 0.543 mm Contrast Ratio : 1200 : 1 Response Time : 6.5 ms Power Consumption : 200 Watt LCD MTBF : 50,000hrs
Signal Input	VGA ( 15 pin D-sub connector ) + DVI (DVI-D) + audio input ( audio jack )
Protect Glass	3 mm strengthen glass
Speaker	Built-in 2x stereo speakers(8 watt)
OSD	Brightness, Contrast, H/V Position, Color, Phase, Clock, PIP, Auto tune and recall
Touch Screen	Internal USB or RS-232 interface controller Type: Infrared touch Touch Resolution: Above 4096 × 4096

	Light transmission: 95% or more Power consumption: 4.9~5.1V Surface hardness : 7H Response Time Max. 50ms Life expectancy : 50 Million Operation system : Window 2000 / XP / Vista / 7 / CE, DOS , Linux
Signal Connectivity ( optional )	AV input (S-Video, RCA, BNC)
Power Supply	Input: 100~240VAC, 50/60Hz, with 300 Watt internal power board
Construction	Heavy duty steel chassis
Environment	Operating temperature: 0 °C to 50 °C Storage temperature: -20 °C to 60 °C Storage humidity: 10% to 95%, non-condensing Vibration: 17 to 500HZ 1G PTP Shock: 1G /peak( 11m sec)
Safety	CE/FCC/Rohs
Dimension W x H x D ( mm )	Dimensions: 1125x669x120 mm

## Ordering Information

ICM-47WTHD	47" Industrial Chassis Monitor (Wide Screen), with Touch Screen
Optional: AV	Support AV Input (S-Video, RCA, BNC)

## Structure Diagram

