

Model: MBPC-J410T

10.4'' Marine Suitable Intel Celeron J4125 Touch Panel PC - 4 x COM; front IP65 with Dimming: (Optional - WIFI & Bluetooth, Sunlight Readable)



Main Feature

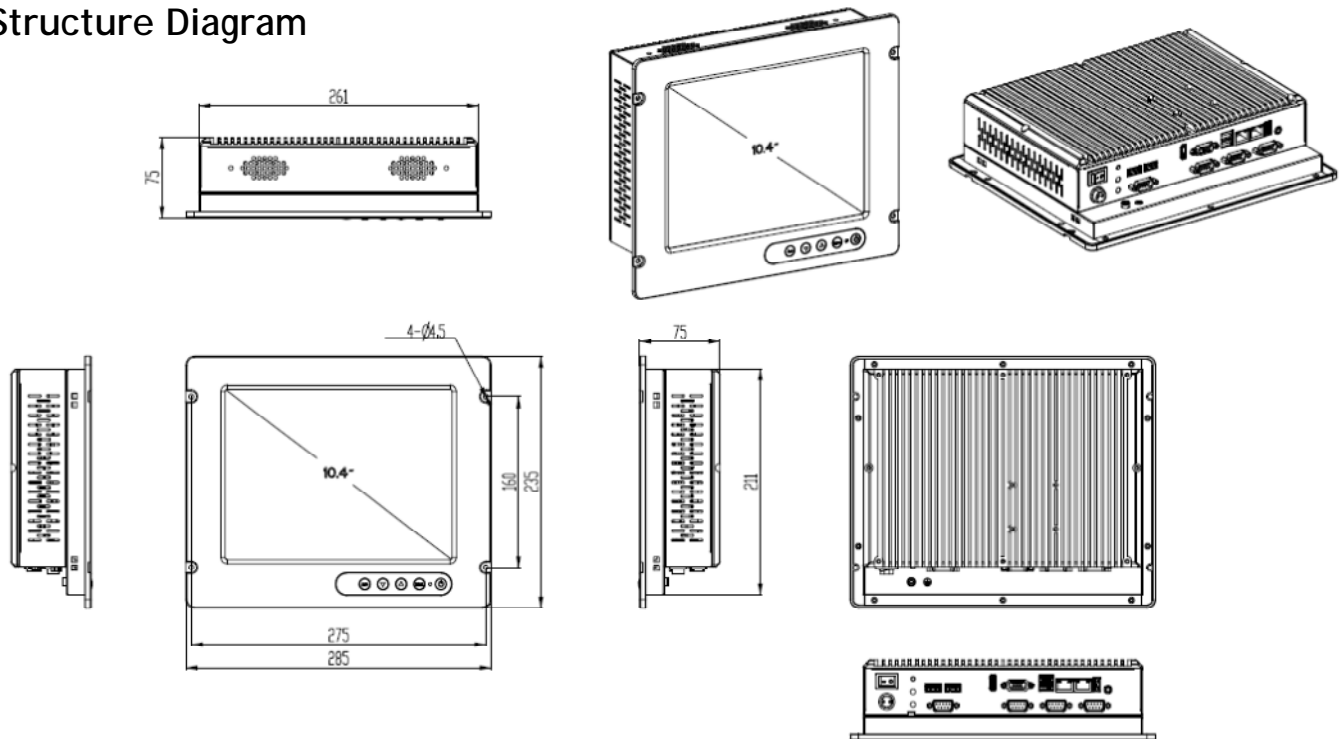
- LED Panel - Higher Brightness; Longer Life Span; Better Viewing Angle; Less Power Consumption ...
- 10.4" XGA LED Panel support 1024x768 pixels, with Anti-Glare
- Intel Celeron J4125 (2.0 - 2.7 GHz, Quad Core, 4MB Cache) Processor
- Rugged construction design
- Front 6mm Aluminum bezel - NEMA4 / IP 65 compliant
- Front OSD with Dimming Feature (10 to 100%)
- 4 x COM (2 x RS232 and 2 x RS232/422/485)
- (Optional - High Brightness) upgrade to Sunlight Readable LED Panel
- (Optional - WIFI) MINI PCI-E WIFI Module with Antenna
- Panel (Flush) mounting with clip
- Meet standard VESA hole (100 x 100 mm), support desk top stand / wall mount / swing arm mounting

Specification

Specification	
Product Model	MBPC-J410T
Processor	Intel Celeron J4125 (2.0 - 2.7GHz, Quad Core, 4MB Cache)
Chipset	Intel® SOC integrated
Memory	1 x DDR4 SO-DIMM Socket up to 8GB
Storage	Space for 1 x 2.5" Drive Bay, 1 x mSATA
Display	Display Type: 10.4" XGA <u>LED Panel</u> Resolution: 1024 × 768 Luminance: 400 cd/m2 View Angel: 160° (H) , 140° (V)
Audio	Realtek ® ALC662, 5.1 channel surround audio
LAN	2 x Realtek ® RL8111x (Gigabit) 10/100/1000Ethernet
USB port	3 x USB 2.0, and 2 x USB 2.0/3.0
VGA & HDMI port	Intel® UHD Graphics 600
Expansive interface	1 x Mini PCI-E

Back panel I/O port	2 x RJ45; 5 x USB; 1 x VGA ; 1 x HDMI; 1 x Audio-out; 4 x COM; 1 x HDD/PWR LED; 1 x Power / Reset Switch; 1 x DC-in Screwing Type
Supporting OS	DOS; Windows 7/10/11; Linux
Touch Screen	Internal USB interface controller - Resistive Touch Type: Analog resistive type : 25VDC \geq 20M Ω Resolution: continuous Light transmission: 80% or more Power consumption:<5V @1mA Surface hardness : 3H Operating force : \leq 100g Life expectancy : 35 Million
Wireless LAN (optional)	MINI PCI-E WIFI Module with Antenna
Power Supply	9-30VDC wide range input with 110-240VAC adapter
Construction	Heavy duty steel and aluminum front panel
Environment	Operating temperature: -5 °C to 60°C Relative humidity: 10% to 90%non-condensing Vibration: 17 to 500HZ 1G PTP; Shock: 1G /peak(11m sec)
Compliance	CE; FCC; ROHS
Dimension W x H x D	285 x 235 x 75mm
Ordering Information:	
EIPC-J410T	10.4" Marine Suitable Panel PC - Intel Celeron J4125, with Touch Screen, with 100-240VAC to 12VDC adapter
<u>Optional - RAM</u>	8GB DDR4 SO-DIMM RAM
<u>Optional - SSD / HDD</u>	128 GB to 2TB SSD / 1 to 2TB 2.5" SATA HDD
<u>Optional - WIFI</u>	MINI PCI-E WIFI Module with Antenna
<u>Optional - OS</u>	Windows 7/10/11 Professional, Linux
<u>Optional - Sunlight Readable</u>	Upgrade LED Panel Brightness to 1,000 nit

Structure Diagram



CUT OUT DIMENSION(263*213mm) UNIT:mm